

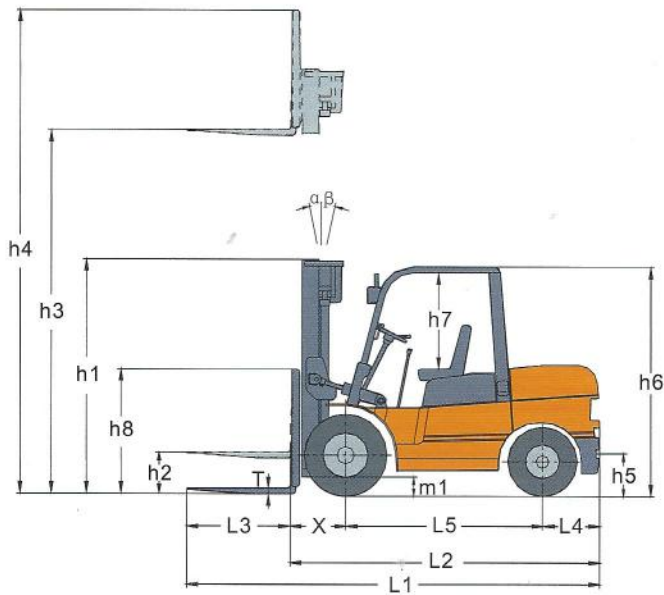
H series 4-5 ton
BALANCE WEIGHT TYPE
FORKLIFT



HELI
LIFTING THE FUTURE

Top 10 forklif manufacturer in the world
No.1 in China market for the 22 consecutive year

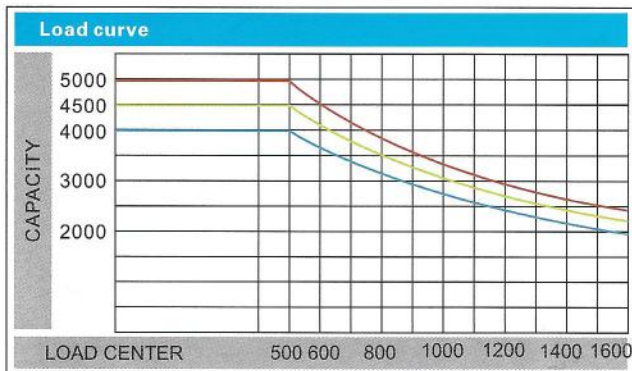
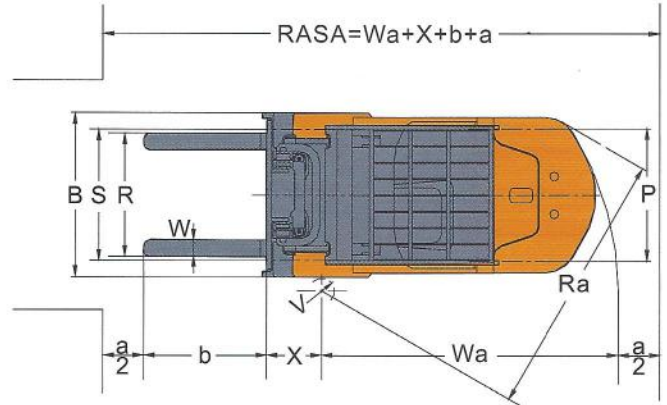
CPQD40-TY5 CPYD40-TY5 CPQYD40-TY5	CPQD45-TY5 CPYD45-TY5 CPQYD45-TY5	CPQD50-TY5 CPYD50-TY5 CPQYD50-TY5	CPQD40-R4 CPYD40-R4 CPQYD40-R4	CPQD45-R4 CPYD45-R4 CPQYD45-R4	CPQD50-R4 CPYD50-R4 CPQYD50-R4
Gasoline/LPG(single/dual fuel)					
4000	4500	5000	4000	4500	5000
500					
Seated					
4250					
3000					
2350					
150					
1250					
980					
2270					
4145/3075	4165/3095	4209/3139	4145/3075	4165/3095	4209/3139
555					
520	540	584	520	540	584
2000					
300					
175					
1480					
1340/300					
1180/1190					
2720	2740	2780	2720	2740	2720
220					
2480	2500	2550	2480	2500	2480
6° /12°					
1070×150×50					
24/25					
450/455	430/435	450/455	430/435	450/455	430/435
<600/>300					
21/17					
20/20	19/20	17/20	20/20	19/20	17/20
2X/2					
Pneumatic					
8.25-15-14PR	300-15-18PR	300-15-18PR	8.25-15-14PR	300-15-18PR	300-15-18PR
7.00-12-12PR					
hydraulic type					
Mechanical manual type					
12/100					
GM4.3L			NISSAN TB42		
Gasoline/LPG(single/dual fuel)			Gasoline/LPG(single/dual fuel)		
70/2300 , 76.6/2300			66/2300		
287/1700 , 323.5/1700			310/1800		
6- φ 101.6×88.39			6- φ 96×96		
4.294			4.169		
90					
hydraulic type					
2-1Electro-hydraulic					



RASA: Aisle width with load

a: Clearance

b: Load Length



CPCD50
/CPYD50
/CPQD50
/CPQYD50

CPCD45
/CPYD45
/CPQD45
/CPQYD45

CPCD40
/CPYD40
/CPQD40
/CPQYD40

Note:

Capacities shown are computed with upright in vertical position, based on a 1000 mm cube load configuration with the center of gravity at the true center of the cube, and standard forks. Truck capacities with upright in forward tilt position will be less. Long forks, and unusually wide or loads may also reduce capacity.

STANDARD EQUIPMENT

- Standard Fork
- Standard Fork Carriage
- M300 2-stage Mast
- Overhead Guard
- Single Air Filter
- Standard Muffler
- Three-spool Control Valve
- Pneumatic Tyres
- Standard Seat
- Tool Kits

OPTIONS

- Cab
- Beacon
- Dual Air Filter
- Heater
- Electric Fan
- Fire Extinguisher
- Fences
- Dual Tyres
- Solid Tire
- Longer Fork
- Windglass
- Rear Working Lights
- Non-standard Fork Carriage
- Four/Five-spool Control Valve
- Vertical Exhaust
- Spark Arrester Muffler

- Purifying Muffler
- Tilt Cylinder Sleeve
- Steering Cylinder Sleeve
- Full Free 2-stage Mast
- Full Free 3-stage Mast

ATTACHMENT SELECTION

- Sideshifter
- Fork Positioner
- Paper Roll Clamp
- Push/Pull
- Carton Clamp
- Rotator
- Bale Clamp
- Block Clamp
- Tyre Clamp
- Drum Clamp
- Fork Clamp
- Turnaload
- Single Double Pallet Handlers
- Double Wide Sideshifters
- Load Stabilizer
- Tipping Multi-Purpose Clamp

**BALANCE WEIGHT TYPE
FORKLIFT**

4-5 Ton

DUPLEX MAST

Mast model	Max. Lifting height	Load capacity(Load center 500mm)			Service Mass			Height mast retracted (Upright) (mm)	Tilting angles (Forward/backward)
		CPCD40	CPCD45	CPCD50	CPCD40	CPCD45	CPCD50		
		CPQ(Y)40	CPQ(Y)45	CPQ(Y)50					
M200	2000	4000	4500	5000	6550	6750	7050	1875	6° /12°
M260	2600	4000	4500	5000	6560	6760	7060	2175	6° /12°
M300	3000	4000	4500	5000	6600	6800	7100	2375	6° /12°
M330	3300	4000	4500	5000	6630	6830	7130	2525	6° /12°
M350	3500	4000	4500	5000	6660	6860	7160	2625	6° /12°
M370	3700	4000	4500	5000	6680	6880	7180	2725	6° /6° *6° /12°
M375	3750	4000	4500	5000	6690	6890	7190	2750	6° /6° *6° /12°
M400	4000	4000	4500	5000	6760	6960	7260	2925	6° /6° *6° /12°
M425	4250	3850 *4000	4350 *4500	4850 *5000	6800	7000	7300	3050	6° /6°
M450	4500	3600 *4000	4000 *4500	4600 *4800	6830	7030	7330	3175	6° /6°
M475	4750	3400 *4000	3800 *4500	4300 *4800	6860	7060	7360	3300	6° /6°
M500	5000	3100 *3700	3600 *4300	4000 *4600	6900	7100	7400	3425	6° /6°
M540	5400	2600 *3450	2950 *3550	3250 *3650	6960	7160	7460	3625	3° /6°
M600	6000	1500 *2200	1700 *2300	2000 *2400	7130	7330	7630	3925	3° /6°

NOTE: (1) Rated capacity with (*) : shows capacity with front dual tires.
(2) M300 is Standard Equipment.

DUPLEX FULL FREE MAST

Mast model	Max. Lifting height	Load capacity(Load center 500mm)			Service Mass			Height mast retracted (Upright) (mm)	Free Lift (with Backrest)	Tilting angles (Forward/backward)
		CPCD40	CPCD45	CPCD50	CPCD40	CPCD45	CPCD50			
		CPQ(Y)40	CPQ(Y)45	CPQ(Y)50						
ZM261	2610	4000	4500	5000	6740	6940	7240	2180	905	6° /12°
ZM271	2710	4000	4500	5000	6750	6950	7250	2230	955	6° /12°
ZM300	3000	4000	4500	5000	6780	6980	7280	2375	1100	6° /12°
ZM330	3300	4000	4500	5000	6810	7010	7310	2525	1250	6° /12°
ZM350	3500	4000	4500	5000	6850	7050	7350	2625	1350	6° /12°
ZM375	3750	4000	4500	5000	6880	7080	7380	2750	1475	6° /6° *6° /12°
ZM400	4000	4000	4500	5000	6920	7120	7420	2875	1600	6° /6° *6° /12°

NOTE: (1) Rated capacity with (*) : shows capacity with front dual tires.
(2) The free height of full free 2-stage mast without backrest+380mm.

TRIPLEX FULL FREE MAST

Mast model	Max. Lifting height	Load capacity(Load center 500mm)			Service Mass			Height mast retracted (Upright) (mm)	Free Lift (with Backrest)	Tilting angles (Forward/backward)
		CPCD40	CPCD45	CPCD50	CPCD40	CPCD45	CPCD50			
		CPQ(Y)40	CPQ(Y)45	CPQ(Y)50						
ZSM392	3920	3900	4400	4900	7050	7250	7550	2230	955	6° /12°
ZSM435	4350	3800	4300	4700	7100	7300	7600	2375	1100	6° /12°
ZSM450	4500	3600 *3700	4100 *4200	4600	7120	7320	7620	2426	1150	6° /12°
ZSM470	4700	3600 *3700	4100 *4200	4600	7150	7350	7650	2492	1215	6° /12°
ZSM480	4800	3500 *3700	4000 *4200	4600	7170	7370	7650	2525	1250	6° /12°
ZSM500	5000	3300 *3600	3800 *4100	4400 *4500	7220	7420	7720	2625	1350	6° /12°
ZSM540	5400	2400 *3400	2900 *3900	3500 *4300	7270	7470	7770	2725	1450	3° /6°
ZSM600	6000	1700 *3200	2100 *3500	2600 *4000	7360	7560	7860	2990	1715	3° /6°
ZSM630	6300	1200 *2900	1600 *3200	2100 *3700	7400	7600	7900	3090	1815	3° /6°

NOTE: (1) Rated capacity with (*) : shows capacity with front dual tires.
(2) The free height of full free 3-stage mast without backrest+365mm.

HELI
LIFTING THE FUTURE



H series 4-5 ton
BALANCE WEIGHT TYPE
FORKLIFT



CE Certification



ISO9001 Certification



ANHUI HELI CO., LTD.

ADDR 15 WEST WANGJIANG ROAD, HEFEI, ANHUI, P.R. CHINA

TEL (86 551)63639068, 63639258, 63639358

FAX (86 551)63639966

WEBSITE <http://www.helichina.net>

* Details of specifications and equipment are based on information available at the time of printing and may change without notice.

AUTHORIZED DEALER

© 2013 heli copyright

Catalog No.2013.3

HELI Print